



Technical Service BULLETIN

May 2, 2007

Title:

SOUND DISTORTION ON AM RADIO

Models:

'07 Camry & Camry HV



REVISÉD
AUDIO
AU003-07

TSB REVISION NOTICE:

- **June 27, 2007:** The Production Change Information table has been added. Previous versions of this TSB should be discarded.

Introduction

Some customers may experience a condition where certain AM radio stations have a distorted sound even though the signal from the local AM station is strong. A revised radio has been developed to address the condition. Use the following repair procedure to replace the radio.

Applicable Vehicles

- **2007** model year **Camry** vehicles produced **BEFORE** the Production Change Effective VINs shown below.
- **2007** model year **Camry HV** vehicles.

Production Change Information

MODEL	PART NUMBER*	PLANT	LINE	PRODUCTION CHANGE EFFECTIVE VIN
Camry	86120-06390	TMMK	1	4T1BE46K#7U697030
			2	4T1BE46K#7U697040
		SIA	-	4T4BE46K#7R002782
	86120-06460	TMMK	2	4T1BB46K#7U018820
	86120-33A10	Tsutsumi	2	JTNBE46K#73113370
	86120-33A30		2	JTNBB46K#73039010
	86120-06180	TMMK	1	4T1BE46K#7U169372
			2	4T1BE46K#7U706671
		SIA	-	4T4BE46K#7R005456
	86120-33890	Tsutsumi	2	JTNBE46K#73128127

* Refer to the Parts Information table in this bulletin for more information on the part number.

Warranty Information

OP CODE	DESCRIPTION	TIME	OFF	T1	T2
860031	R & R Radio Assembly	0.5	86120-#####	76	74

Applicable Warranty*:

This repair is covered under the Toyota Comprehensive Warranty. This warranty is in effect for 36 months or 36,000 miles, whichever occurs first, from the vehicle's in-service date.

* Warranty application is limited to correction of a problem based upon a customer's specific complaint.

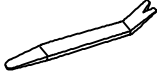



Parts Information

PREVIOUS PART NUMBER	CURRENT PART NUMBER	SUPPLIER	PART NAME	QTY
86120-33890	Same	Fujitsu-Ten	Radio Receiver	1
86120-06180	Same			1
86120-33A10	Same	Denso	Multi-Display	1
86120-06390	Same			1
86120-33A30	Same			1
86120-06460	Same			1

NOTE:
 The parts **MUST** be ordered through the exchange program to qualify for warranty coverage.

Required SSTs

SPECIAL SERVICE TOOLS (SSTs)		PART NUMBER	QTY	DRW**
Plastic Pry Tool Set*		00002-06000-01	1	20
COMPONENT(S) OF KIT/SET	NOTE: • All components from this kit/set are required. • Plastic Panel Clip Removal Tool (P/N 00002-06001-01)  • Plastic Emblem Removal Tool (P/N 00002-06002-01) 			

* Essential SSTs.

** Refers to drawer number in SST Storage System.

NOTE:
 Additional SSTs may be ordered by calling SPX/OTC at 1-800-933-8335.

Repair Procedure

- Order a replacement radio through the Fujitsu-Ten or Denso exchange program (refer to Warranty Policy Handbook for contact information).
- Replace the radio.
 Refer to the Technical Information System (TIS), 2007 Camry or Camry HV Repair Manual, *Audio/Visual/Telematics – Audio/Video – “Audio / Visual: Radio Receiver: Removal”*.